

AZ 1186T

con cartuccia vitone ceramico

codice  
code

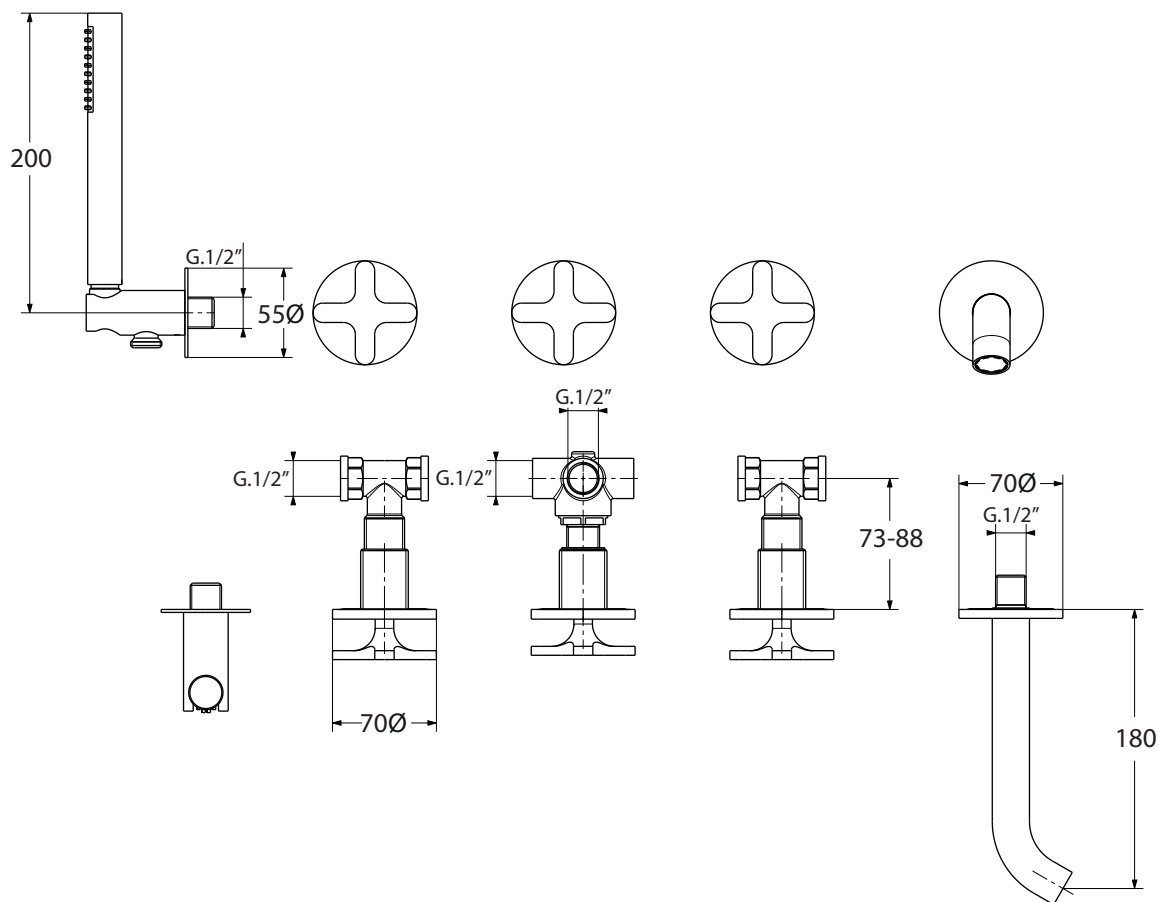


Gruppo vasca incasso + bocca tonda + doccetta + deviatore  
Built-in bath-tub mixer + round spout + diverter

AZ 1186T

CM box 42x25 x h7

kg 3,6



scala/scale 1:5 dimensioni/dimensions in mm

Rubinetteria. Taps.



CR  
Cromo  
Chrome



BI  
Bianco opaco  
Matt white



NE  
Nero opaco  
Matt Black

TECHNICAL SHEET n°: <b>01</b>	DESIGNER: <b>ANGELETTI RUZZA</b>	CODE: <b>AZ 1186T</b>	Azzurra sanitari in ceramica S.p.a. via Civita Castellana snc 01030 Castel S.Elia (VT) - ITALY Tel. +39.0761 518155 Fax. +39.0761 514560	
SHEET FORMAT: <b>A4</b>	ISO	REVISION: <b>02</b>	SCALE: <b>1:5</b>	DATE: <b>08/10/2019</b>
REGULATIONS				
All the measurements respect the tolerances provided by the "AZZURRA QUALITY GUIDELINES".				

