

FRK85



FRS85 - SPECCHIERA con ACCESSORI MAGNETICI: specchio con luce a led integrata con trasformatore e interruttore e mensola lineare fissa in legno massello, colore antracite.

FRS85 - MIRROR with MAGNETIC ACCESSORIES: mirror with integrated LED light with transformer and switch and fixed linear shelf in solid wood, anthracite color.

codice  
code

FRM2010BG - MENSOLA MAGNETICA MOBILE: semicircolare in metallo verniciato, colore antracite  
FRM2010BG - MAGNETIC MOBILE SHELF: semicircular in painted metal, anthracite color

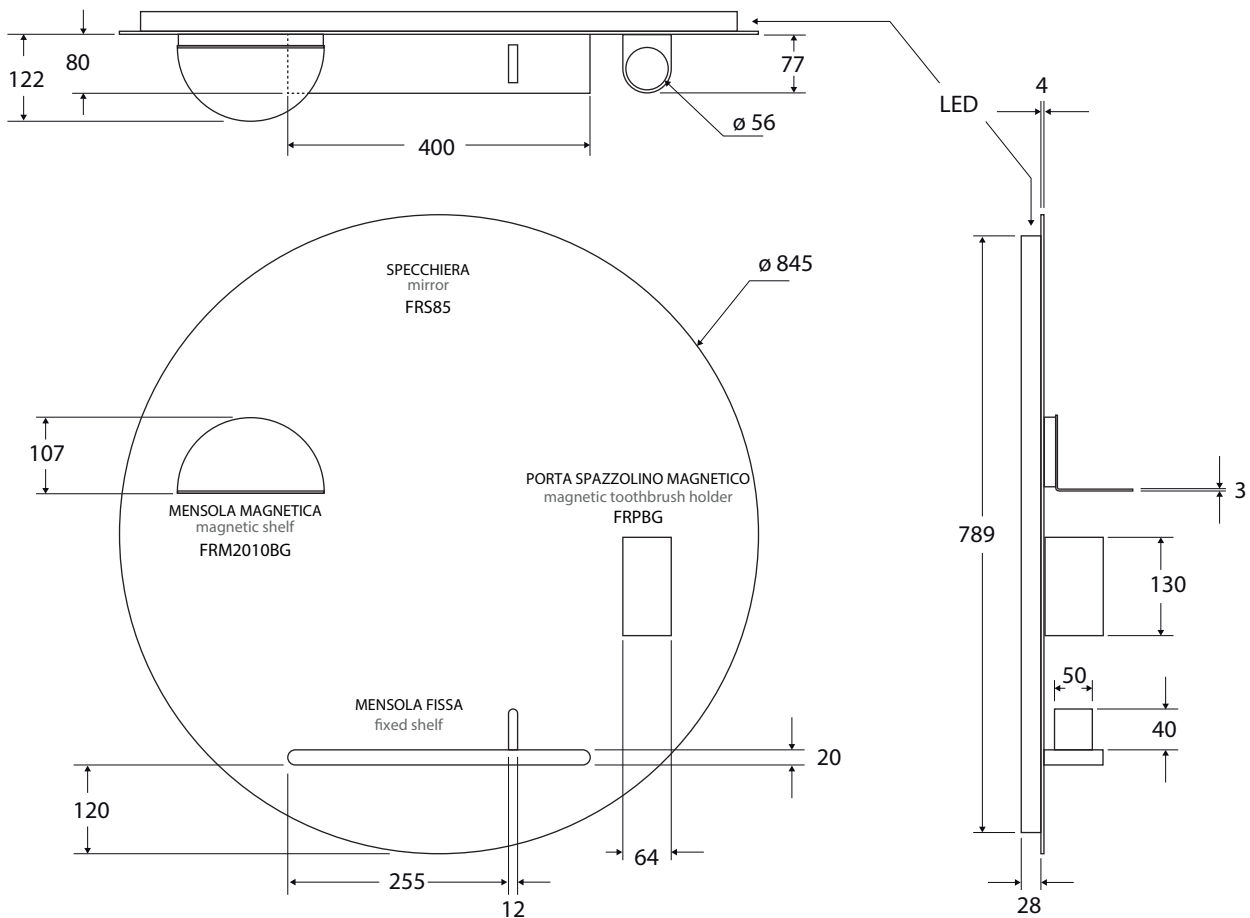
FRPBG - PORTA SPAZZOLINO MAGNETICO MOBILE: in legno verniciato, colore antracite  
FRPBG - MOBILE MAGNETIC TOOTHBRUSH HOLDER: in painted wood, anthracite color

antracite, massello verniciato a poro aperto/ anthracite, laquered open-pore finish solid wood

FRK85

Cm 106x845xh845

kg 14



scala/scale 1:10 dimensioni/dimensions in mm

Gamma di colori disponibile  
Color range available



antracite  
anthracite

TECHNICAL SHEET n°: 01	DESIGNER: DIEGO GRANDI	CODE: FRK85	Azzurra sanitari in ceramica S.p.a. via Civita Castellana snc 01030 Castel S.Elia (VT) - ITALY Tel.+39.0761 518155 Fax.+39.0761 514560	
SHEET FORMAT: A4	ISO	REVISION: 01	SCALE: 1:10	DATE: 19/05/2021
REGULATIONS				
All the measurements respect the tolerances provided by the "AZZURRA QUALITY GUIDELINES".				

