

FRP50

SGABELLO: seduta in legno massello
STOOL: solid wood seat

codice
code



antracite, massello verniciato a poro aperto/ anthracite, laquered open-pore finish solid wood

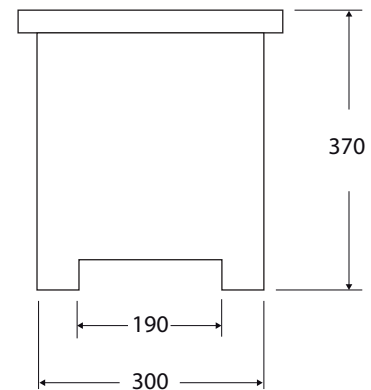
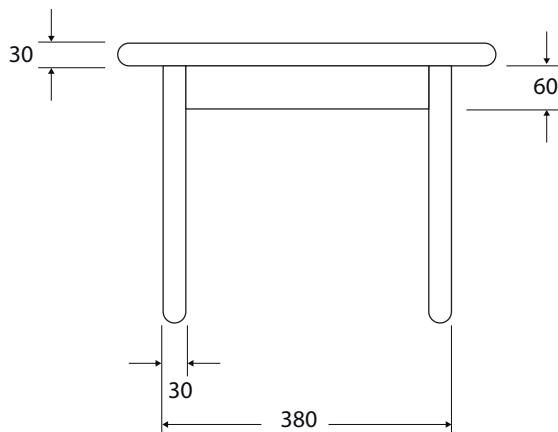
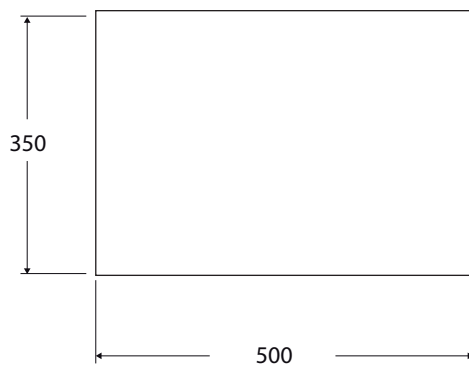
FRP50VB

rovere naturale/ natural oak

FRP50TR

Cm 50x35xh37

kg 8,5



scala/scale 1:10 dimensioni/dimensions in mm

Gamma di colori disponibile
Color range available



antracite
anthracite



rovere
oak

TECHNICAL SHEET n°: 01	DESIGNER: DIEGO GRANDI	CODE: FRP50		
SHEET FORMAT: A4	ISO	REVISION: 01	SCALE: 1:10	DATE: 19/05/2021
REGULATIONS				
All the measurements respect the tolerances provided by the "AZZURRA QUALITY GUIDELINES".				

Azzurra sanitari in ceramica S.p.a.
via Civita Castellana snc 01030
Castel S.Elia (VT) - ITALY
Tel.+39.0761 518155
Fax.+39.0761 514560

