

NUVKSP000000

sanitari sospesi 55/ wall hung sanitary wares

codice
code



Vaso Nuvola sospeso.
Nuvola wall hung Wc.

biancolucido/shiny white
cotone/cotton

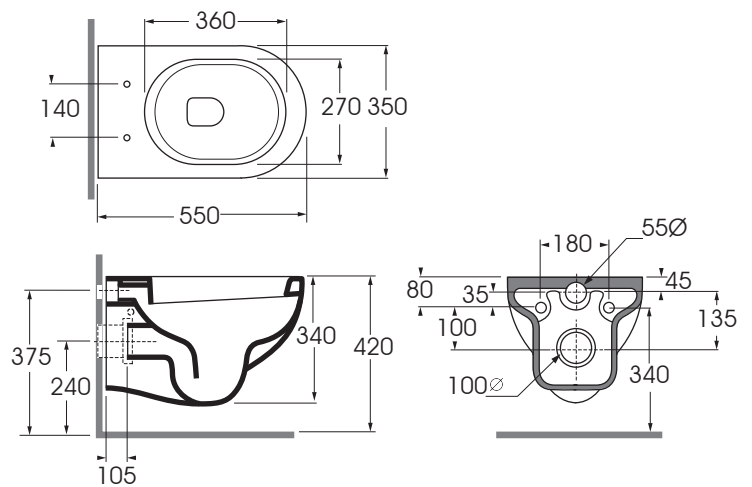
NUVKSP000000BI
NUVKSP000000CT

CM 55x35xh34

plt italy pz.12 - plt export pcs.20

kg 21,5

Tecnologie/technologies:



scala/scale 1:20 dimensioni/dimensions in mm

COLORS 1250°



Complementi/complements:

Codice
code



Sedile termoindurente frizionato per vaso 55cm a sgancio rapido
Wrapover thermosetting soft close cover-seat for cm55 with quick release

bianco lucido/ shiny white NUV 1818/F
cotone/cotton NUV 1818 M/F



Sedile termoindurente avvolgente con chiusura frizionata
Wrapover thermosetting soft close

bianco lucido/ shiny white NUV 1845/F
cotone/cotton NUV 1845 M/F



Sedile termoindurente avvolgente per vaso
Wrapover thermosetting cover-seat

bianco lucido/ shiny white NUV 1845
cotone/cotton NUV 1845 M



Kit fissaggio a "elle" per vaso e bidet sospesi
"L" fixing kit for wall-hung wc and bidet

KIT 2000 C



Protezione antiurto e acustica
per vaso e bidet sospesi
Shock absorption and acoustic protection
for wall-hung wc and bidet

ISAC

| | | | | | |
|---|----------------------------------|---------------------------|--|-------------------------|--|
| TECHNICAL SHEET n°: 01 | DESIGNER: ANGELETTI RUZZA | CODE: NUVKSP000000 | Azzurra sanitari in ceramica S.p.a. via Civita Castellana snc 01030 Castel S.Elia (VT) - ITALY Tel. +39.0761 518155 Fax. +39.0761 514560 | | |
| SHEET FORMAT: A4 | ISO | REVISION: 02 | SCALE: 1:20 | DATE: 29/07/2019 | |
| REGULATIONS: CE EN 997 / EN33 / Dop-997 * | | | | | |
| All the measurements respect the tolerances provided by the "AZZURRA QUALITY GUIDELINES". | | | | | |

* Regulations here shown are exclusively referred to ceramic items