

THLDO7057TOM

lavabi sospesi/wall hung washbasins

codice
code



Lavabo Thin sospeso mono foro cm 70x57 per diversamente abili.
Thin washbasin wall-hung 1 taphole cm 70x57 for disabled people.

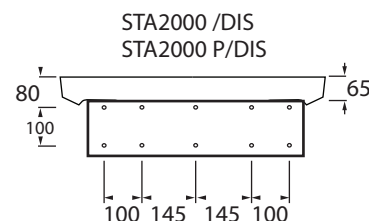
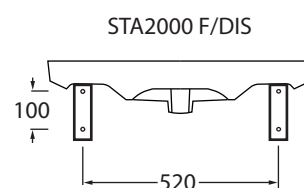
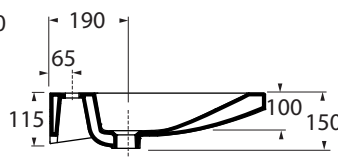
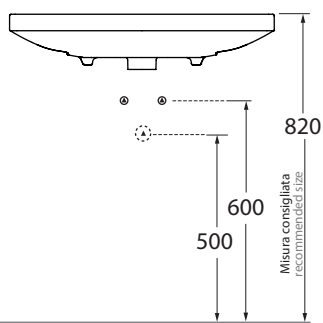
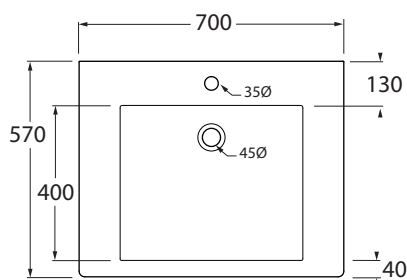
bianco lucido/ shiny white

THLDO7057TOMBI

CM 70x57xh14,5

plt italy pz.14 - plt export pcs.28

kg 19



Tecnologie/technologies:



disabili

scala/scale 1:20 dimensioni/dimensions in mm

Complementi/complements:

codice
code

codice
code



Staffe fisse per lavabo sospeso diversamente abili
Fixed bracket for wall-hung washbasin for disabled people
STA 200 F/DIS




Meccanismo automatico con altezza variabile e barra di comando leva per lavabo sospeso disabili
Pneumatic mechanism with adjustable height and lever control bar for wall-hung washbasin for disabled people
STA 200 P/DIS



Staffe inclinazione meccanica con altezza variabile per lavabo sospeso diversamente abili
Mechanic tilt bracket with adjustable height for wall-hung washbasin for disabled people
STA 200/DIS



Piletta automatica con troppo pieno
Automatic waste system with over flow
PILTR
kg 0,5

TECHNICAL SHEET n°: 01	DESIGNER: ANGELETTI RUZZA	CODE: THLDO7057TOM	Azzurra sanitari in ceramica S.p.a. via Civita Castellana snc 01030 Castel S.Elia (VT) - ITALY Tel.+39.0761 518155 Fax.+39.0761 514560	
SHEET FORMAT: A4	 ISO	REVISION: 02	SCALE: 1:20	DATE: 30/07/2019
REGULATIONS: CE EN 14688 / EN31 / Dop-14688 *				
All the measurements respect the tolerances provided by the "AZZURRA QUALITY GUIDELINES".				



* Regulations here shown are exclusively referred to ceramic items